



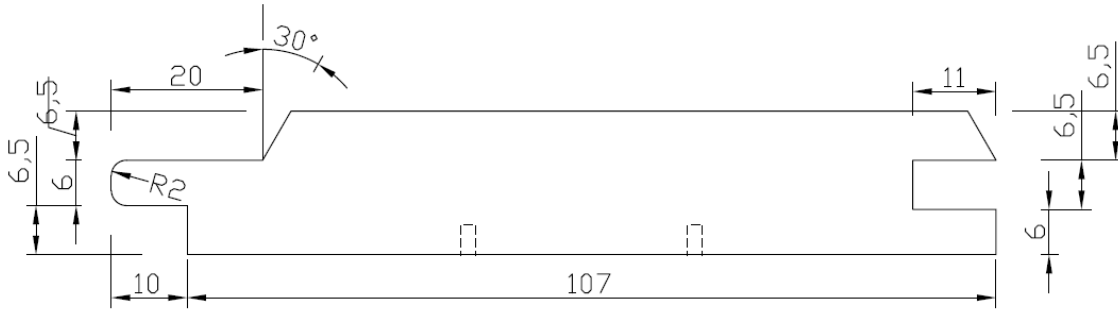
# PRODUCT PROFILE MAP

---

*UPDATED: 9.9.2011*

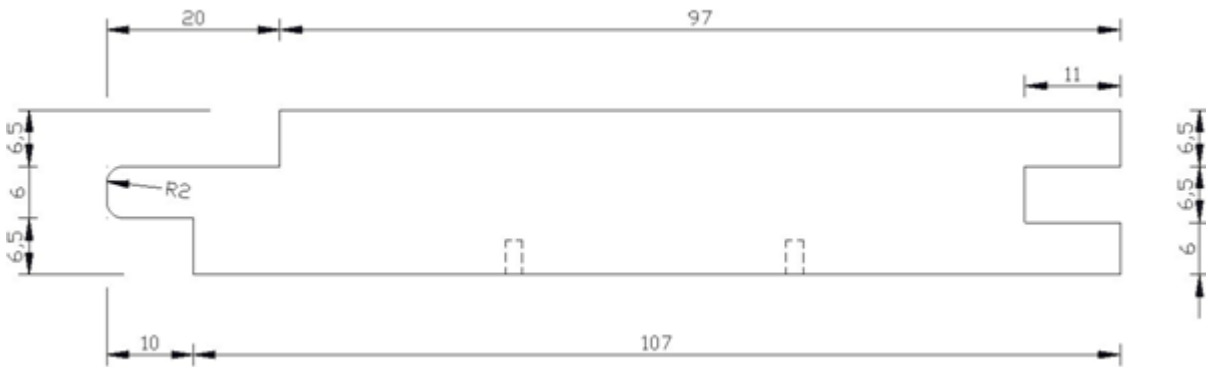
# Exterior cladding products

## UTV 19x117



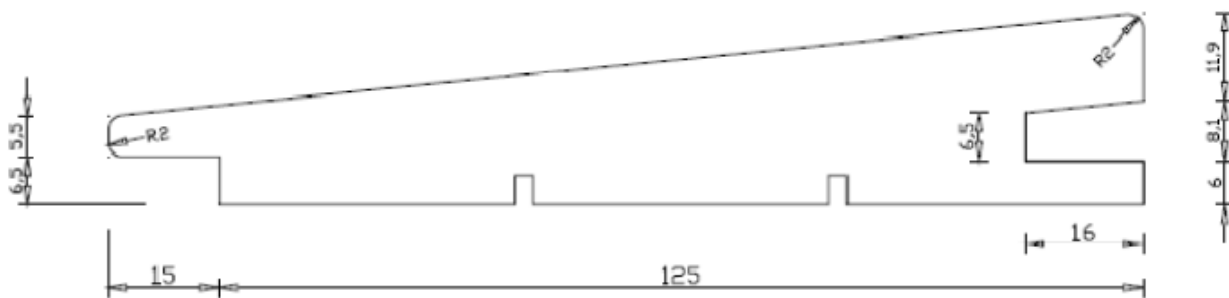
Wood species: Pine, (*Pinus Sylvestris*)  
 Available also in dimension: 19x140

## UTS 19x117



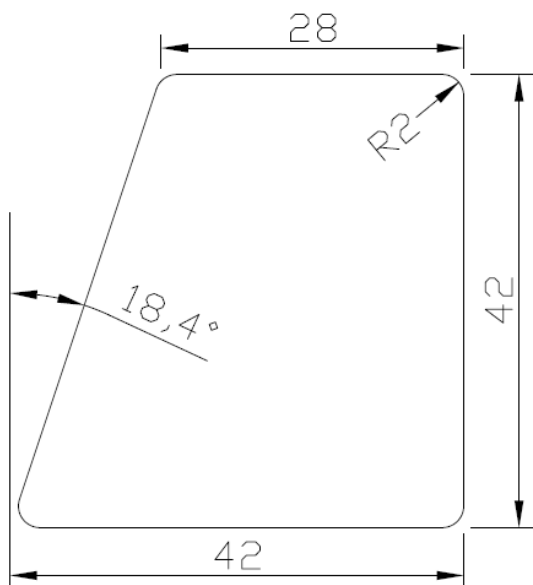
Wood species: Pine, (*Pinus Sylvestris*)

## UYL 25x140-DK



Wood species: Pine, (*Pinus Sylvestris*)

**Half parallelogram (HSS), 28/42x42**



Wood species: Pine, (*Pinus Sylvestris*)

**Parallelogram (SSS), 26x68**

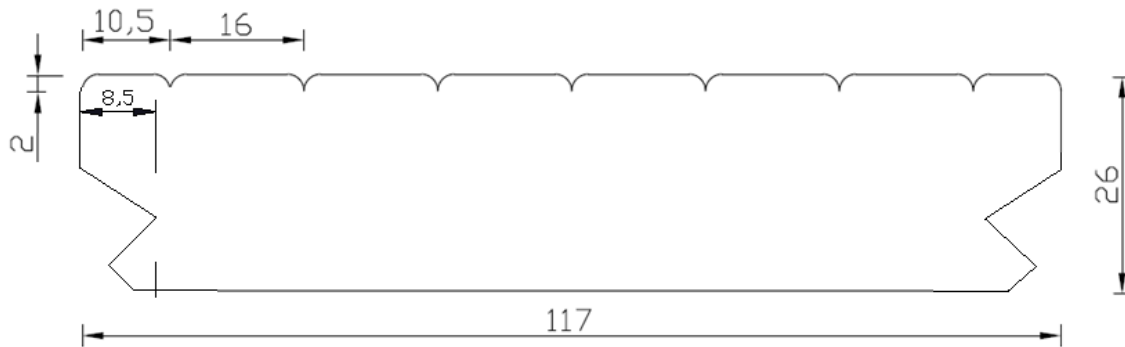


Wood species: Pine, (*Pinus Sylvestris*)

## Decking products

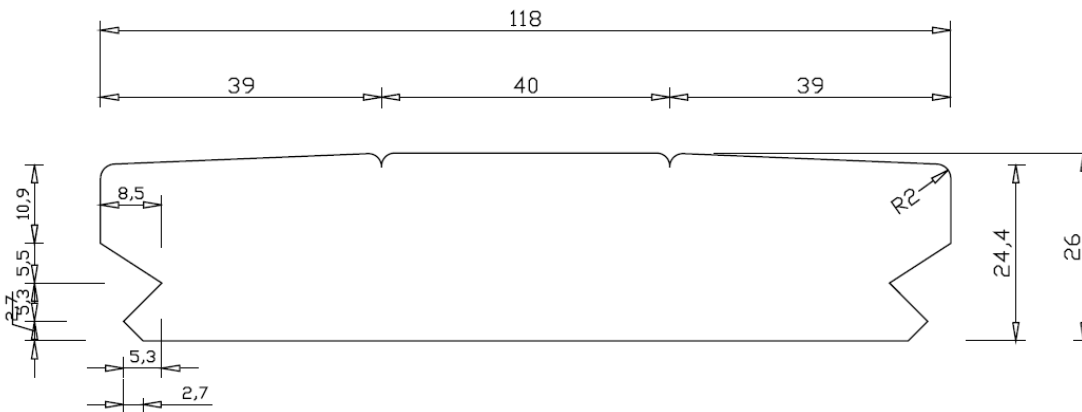
---

### LunaDeck 2 Profix2 26x117



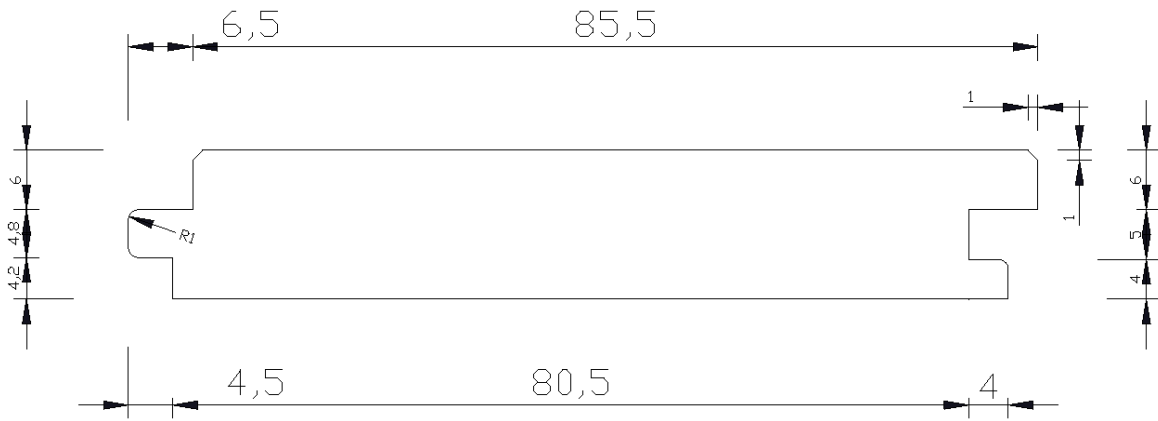
Also available with the following dimensions: 26x92 / 140; Wood species: Pine, (*Pinus Sylvestris*)

### LunaDeck R+ Profix2 26x118



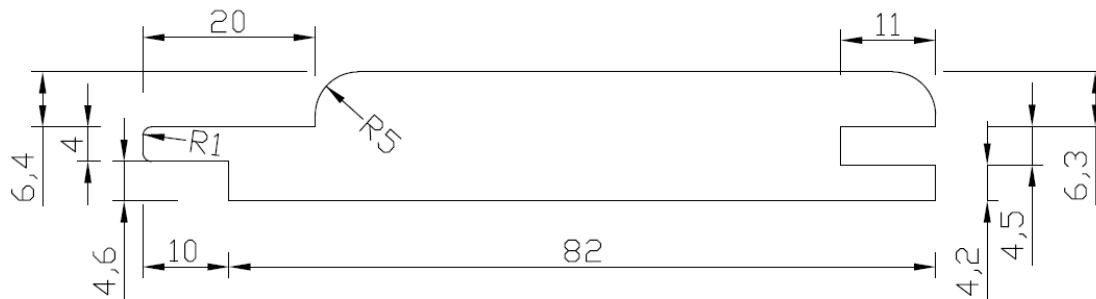
Wood species: Pine, (*Pinus Sylvestris*)

**LunaPanel smooth 15x92**

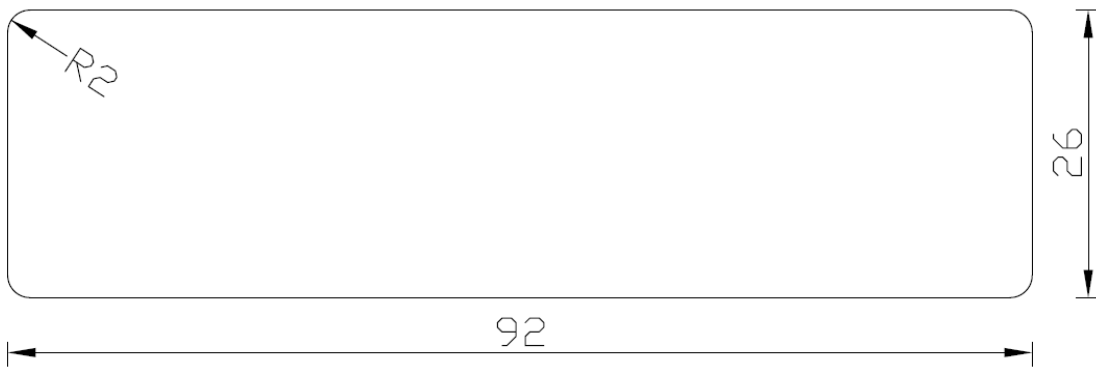


Wood species: Pine, (*Pinus Sylvestris*)

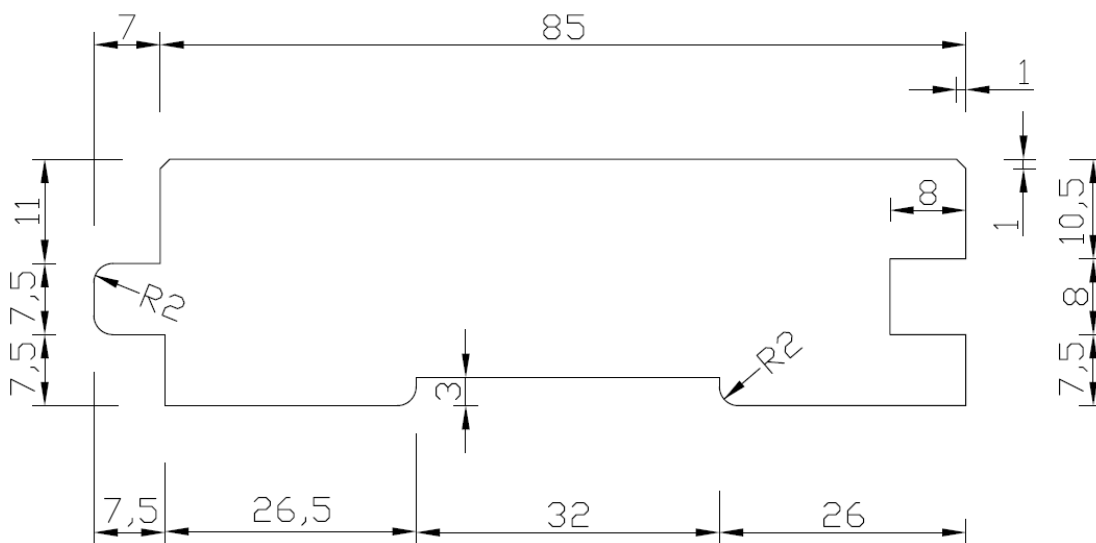
**STP 15x92**



Wood species: Pine, (*Pinus Sylvestris*)

**Sauna Bench Board 26x92**


Luna-thermo S treatment. Wood species: Pine, (*Pinus Sylvestris*)  
 Available also as: Luna-Thermo D: 26x117 Pine and 26x140 Radiata Pine

**Flooring 4 TG 26x92**


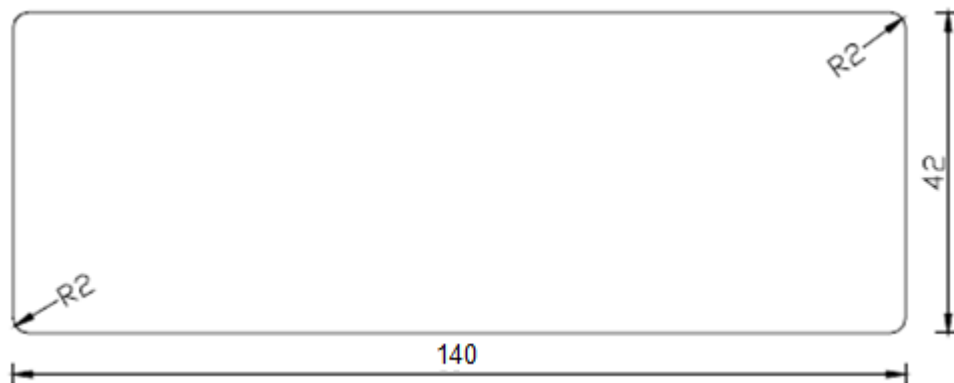
Luna-Thermo S treatment; Wood species: Pine, (*Pinus Sylvestris*)



## Planed construction timber

---

**SHP 42x140**



Also available with the following dimensions: 42x68 / 92; Wood species: Pine, (*Pinus Sylvestris*)

	species	DIMENSION		PROFILE		TD/TS	Lengths				
							2,1	2,4	3	FL 3,6-5,1; LP	4,2
Decking											
	Pine	26	92	LD2	PF2	TD			x	x	
	Pine	26	117	LD2	PF2	TD				x	
	Pine	26	118	LDR+	PF2	TD				x	
	Pine	26	140	LD2	PF2	TD				x	
Cladding											
	Pine	19	140	UTV		TD				x	
	Pine	19	117	UTV		TD				x	
	Pine	19	117	UTS		TD				x	
	Pine	25	140	UYL-DK		TD				x	
	Pine	26	68	Paralellogram (SSS)		TD			x		x
	Pine	28/42	42	Half-parallelogram (HSS)		TD			x		x
Construction											
	Pine	42	68	SHP		TD			x		x
	Pine	42	92	SHP		TD			x	x	
	Pine	42	140	SHP		TD				x	
Indoor											
	Pine	15	92	STP		TD	x		x		
	Pine	15	92	LP		TD	x		x		
	R Pine	19	140	STV		TD	3,0; 3,6; 4,2; 4,8 m				
	Pine	26	92	HLL	4 TG	TS			x		
	Pine	26	92	Sauna bench board		TS	x		x		
	Pine	26	117	Sauna bench board		TD	x	x	x		
	R Pine	26	140	Sauna bench board		TD	[2,1; 2,4; ] 3,0; 3,6; 4,2; 4,8m				

- FL = fallen lengths fairly spread;  
No single length can be offered
- LP = length package
- Prefix2 = PF2
- HLL 4 TG = Flooring board, 4 sides  
tong & grooved
- R pine = Radiata pine, 3 sides knotless



- Prefix 2 = PF2
- Other products: min. order 20 m<sup>3</sup>





Table below show an example how fallen lengths are spread in average. Please notice that length specification can vary weekly and this is only indicative.

normal FL spread

dimension	2,7	3,0	3,3	3,6	3,9	4,2	4,5	4,8	5,1	5,4	5,7	6,0	Total
<b>19x117</b>	0 %	24 %	2 %	10 %	7 %	20 %	17 %	10 %	5 %	4 %	1 %	1 %	<b>100 %</b>
<b>19x140</b>		1 %	1 %	9 %	7 %	35 %	19 %	6 %	14 %	6 %	1 %		<b>100 %</b>
<b>26x117</b>	0 %	16 %	3 %	6 %	14 %	23 %	14 %	10 %	5 %	5 %	2 %	1 %	<b>100 %</b>
<b>26x140</b>		13 %	1 %	5 %	7 %	30 %	14 %	11 %	12 %	4 %	1 %	0 %	<b>100 %</b>
<b>42x92</b>	0 %	9 %	3 %	3 %	9 %	20 %	17 %	18 %	7 %	13 %			<b>100 %</b>